

How to connect REX button to 2N® Access Unit



Info

This FAQ describes, how to connect REX button (Request To Exit) to 2N® Access Unit. In few steps you will learn how to connect the button and configure the unit to enable this feature. FAQ describes situations with both types of button - normally opened and normally closed contact.

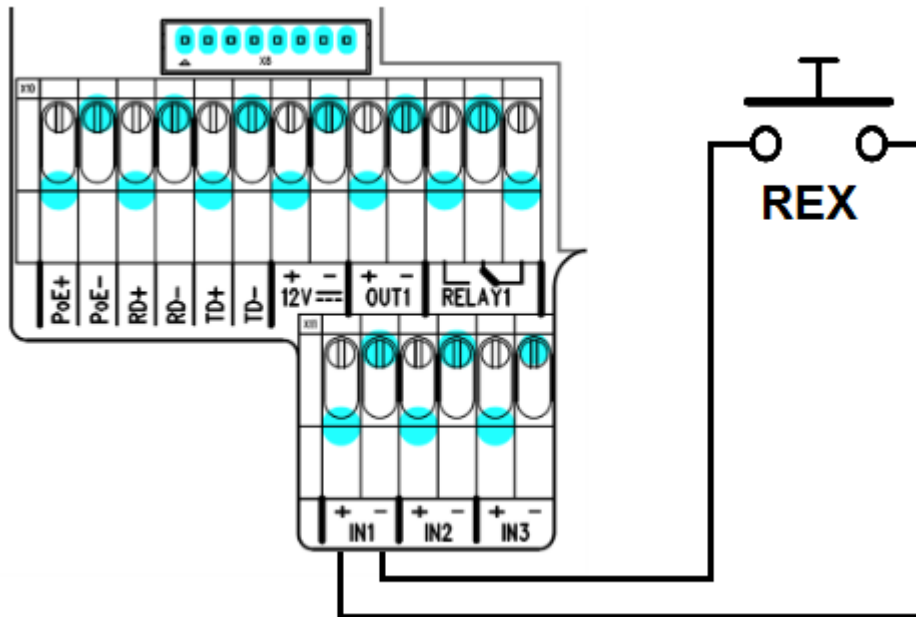
What is REX button?

In certain situations (for instance in premises with higher security level like ATM room etc.) you want to control the door opening even when person is leaving. For this purpose you can connect REX button to 2N® Access Unit and once the button is pressed, device will trigger the lock. You can see typical scenario with REX button below.

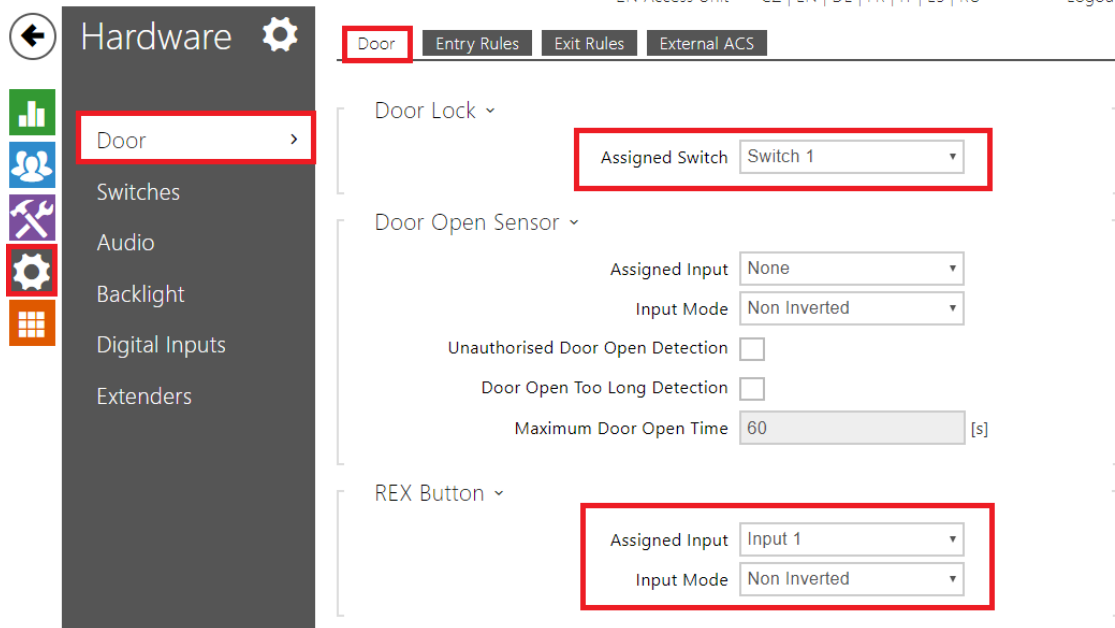


How to connect "normally opened" REX button to 2N[®] Access Unit and how to configure it

1. In first step simply connect REX button to one of the inputs on 2N[®] Access Unit via two wires.

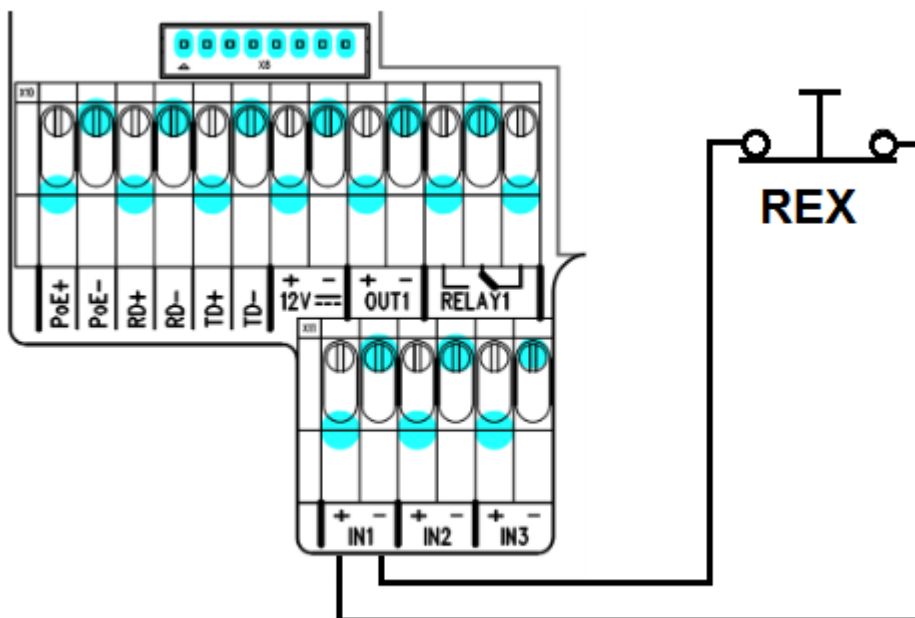


2. In second step connect to IP address of 2N[®] Access Unit and go to section "Hardware->Door". Choose a switch, which you want to control via the REX button (in our case it is "Switch 1") and the input to which you've connected the REX button in previous step (in our case "Input 1"). Set "Input mode" to "Non Inverted".



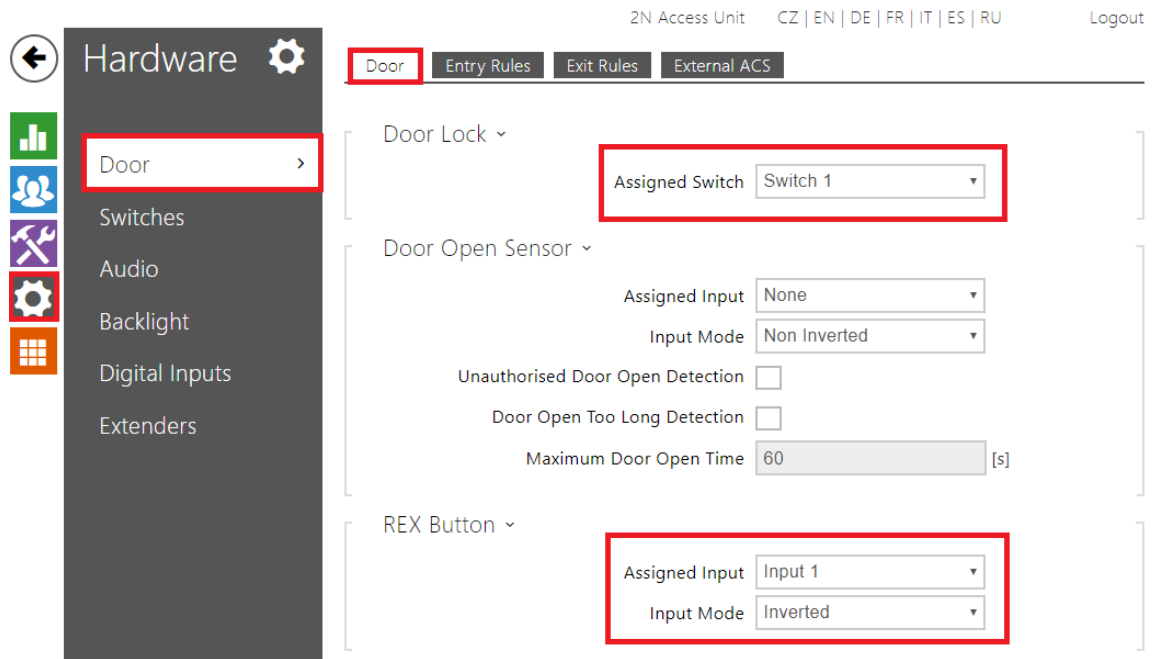
How to connect "normally closed" REX button to 2N[®] Access Unit and how to configure it

1. In first step simply connect REX button to one of the inputs of 2N[®] Access Unit with two wire.



2. In second step connect to IP address of 2N[®] Access Unit and go to section "Hardware->Door". Choose a switch, which you want to control via the REX button (in our case it is "Switch 1") and the input to which

you've connected the REX button in previous step (in our case "Input 1"). Set "Input mode" to "Inverted".



2N Access Unit CZ | EN | DE | FR | IT | ES | RU Logout

Hardware

- Door
- Switches
- Audio
- Backlight
- Digital Inputs
- Extenders

Door

Door Lock ▾

Assigned Switch Switch 1 ▾

Door Open Sensor ▾

Assigned Input None ▾

Input Mode Non Inverted ▾

Unauthorised Door Open Detection

Door Open Too Long Detection

Maximum Door Open Time 60 [s]

REX Button ▾

Assigned Input Input 1 ▾

Input Mode Inverted ▾

More product information:
[Access Control \(Official Website 2N\)](http://wiki.2n.cz)